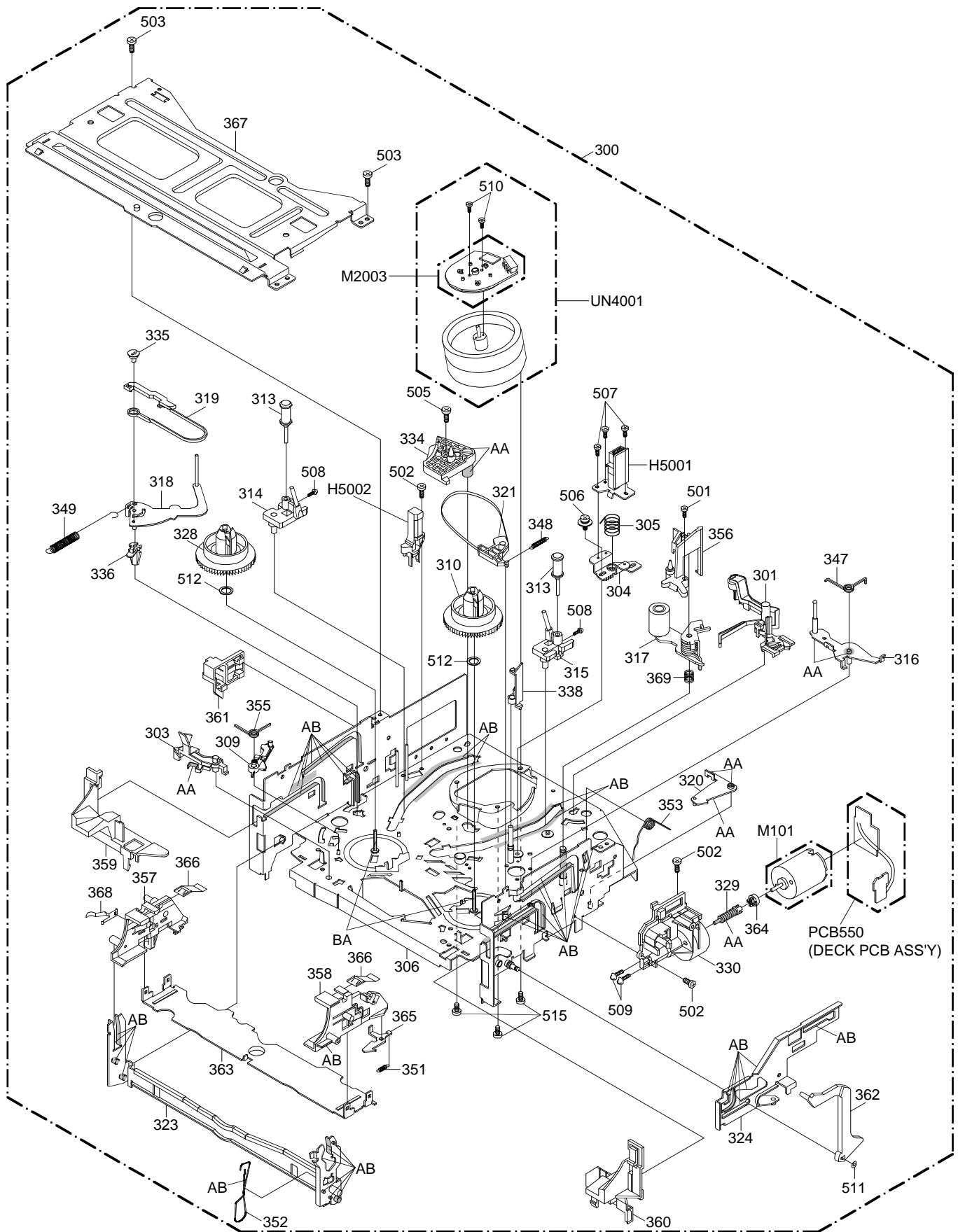


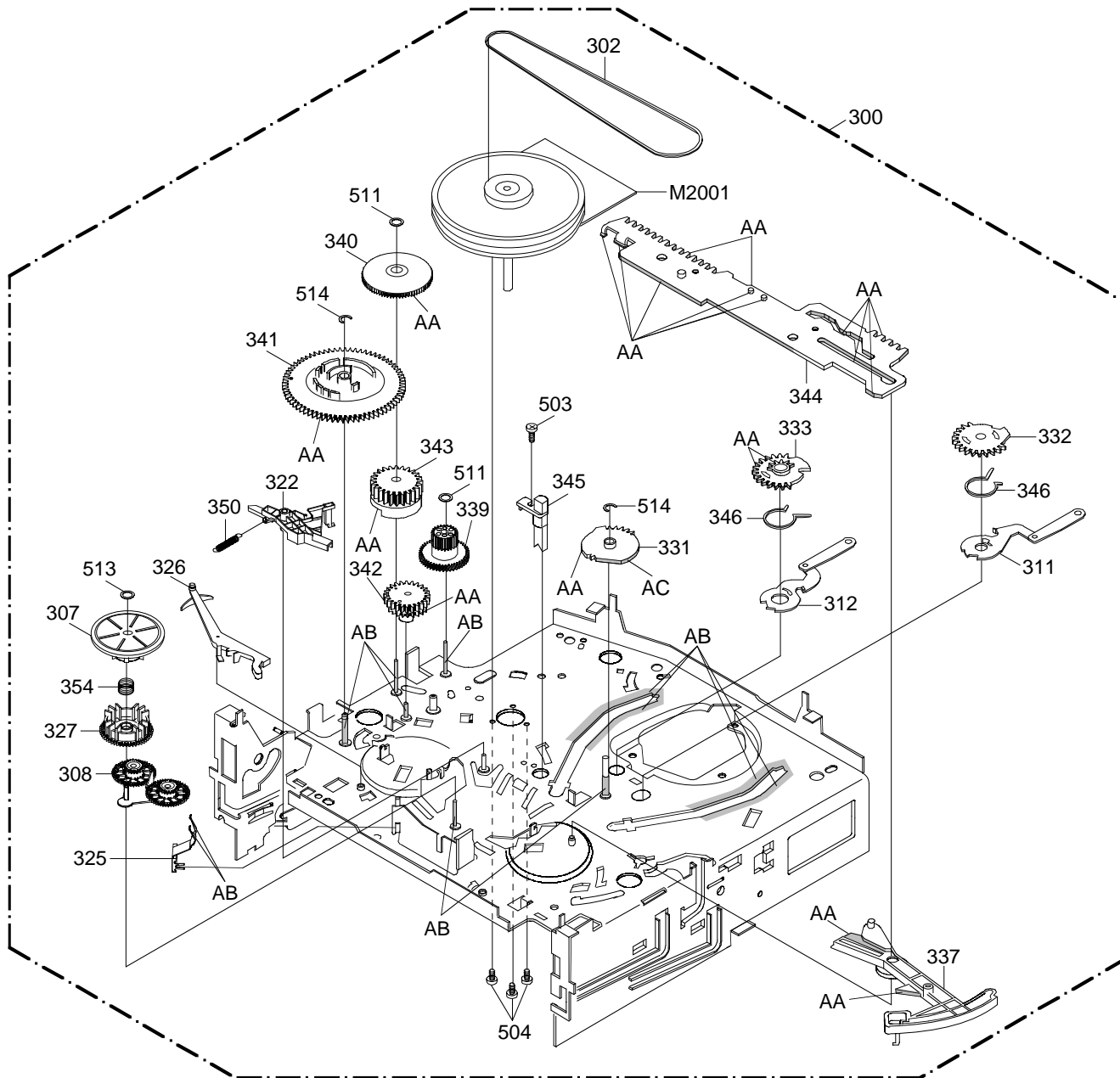
CHASSIS EXPLODED VIEW (TOP VIEW)



CLASS	PART NO.	MARK
GREASE	G-555G	AA
	MG-33	AB
	FL-721	AC
OIL	FL OIL No. 6115	BA

NOTE: Applying positions AA, AB, AC and BA for the grease or oil are displayed for this section. Check if the correct grease or oil is applied for each position.

CHASSIS EXPLODED VIEW (BOTTOM VIEW)



CLASS	PART NO.	MARK
GREASE	G-555G	AA
	MG-33	AB
	FL-721	AC
OIL	FL OIL No. 6115	BA

NOTE: Applying positions AA, AB, AC and BA for the grease or oil are displayed for this section. Check if the correct grease or oil is applied for each position.

MECHANICAL REPLACEMENT PARTS LIST

REF. NO.	PART NO.	DESCRIPTION		
101	A58607V720K	CABINET,FRONT ASSY		
102	752WSA0213	SHIELD,CASE HEAD AMP ASS'Y		
103	713WPAA044	GUIDE,REMOCON		
104	761WPA0151	HOLDER,M/PCB		
105	735WPAA356	BUTTON,BASE		
106	771WPA0232	PLATE,JACK		
107	800WQAA001	FELT SHEET	75x75	
108	800WQ00066	FELT SHEET	220x9xT0.5	
109	899EFBA001	WIRING CLIP		
110	752WSAA032	PLATE,DECK SHIELD ASS'Y		
111	752WSA0246	PLATE,SHIELD BOTTOM		
112	85OP700036	HOLDER EOT SENSOR		
113	741WUA0004	SPRING,EARTH		
114	722566A003	SHEET,RATING		
115	8995034000	CORD CLIP UL CO.		
116	701UPJA081	CABINET,FRONT		
117	753WSA0118	PLATE,EARTH-SYSCON		
118	712WPJB210	FLAP		
119	713WPAA049	GLASS LED		
120	752WSA0256	PLATE,POWER SW		
121	755WNA0010	SHEET,PVC		
122	752WSA0191	SHIELD,CASE		
123	735WPBA147	BUTTON,POWER		
124	735WPBA293	BUTTON,FRAME		
125	761WPA0223	HOLDER,FBT		
126	752WSA0149	SHIELD,COVER		
127	743WKAA009	SPRING,FLAP (COMBO)		
128	A58607V740	CABINET,BACK ASS'Y		
129	702WPAA197	CABINET,BACK		
130	761WPA0217	HOLDER,DECK		
131	753WSA0120	PLATE,BOTTOM-EARTH		
201	8110330A04	SCREW,TAP TITE(P)	FLAT	3x10
202	8117540B04	SCREW,TAPPING(B0)	TRUSS	4x20
203	8117540A64	SCREW,TAPPING(B0)	TRUSS	4x16
204	8117140A24	SCREW,TAPPING(B0)	PAN	4x12
205	8107930604	SCREW,CUP(S)		3x6
206	8110630A24	SCREW,TAP TITE(P)	BRAZIER	3x12
207	8110630A04	SCREW,TAP TITE(P)	BRAZIER	3x10
208	8107230804	SCREW,TAP TITE(S)	BIND	3x8
209	8110630604	SCREW,TAP TITE(P)	BRAZIER	3x6
210	8110330804	SCREW,TAP TITE(P)	FLAT	3x8
211	8109I30A04	SCREW,TAP TITE(B)	WH7	3x10
212	8109630802	SCREW,TAP TITE(B)	BRAZIER	3x8
213	810A130504	SCREW/WASHER(A)		M3x5
214	8107226604	SCREW,TAP TITE(S)	BIND	2.6x6
215	8107630604	SCREW,TAP TITE(S)	BRAZIER	3x6
216	810A130B04	SCREW/WASHER(A)		M3x20
217	8121J50B54	SCREW,TAPPING(B0)	GW20	5x28
---	791MHA0004	LAMIFILM BAG		
---	A58607V975	INSTRUCTION BOOK KIT		
---	792UHA0147	PACKAGE, TOP		
---	792UHA0148	PACKAGE, BOTTOM		
---	793UCDA838	GIFT BOX		
---	JB5X0200	POLYBAG		
---	J5860701	INSTRUCTION BOOK		
---	J5860702	GUARANTEE CARD		

CHASSIS REPLACEMENT PARTS LIST

REF. NO.	PART NO.	DESCRIPTION	REF. NO.	PART NO.	DESCRIPTION
300	A57056A420A	DECK ASSY A57056A420A	501	8107126A04	SCREW,TAP TITE(S) PAN 2.6x10
			502	8107226804	SCREW,TAP TITE(S) BIND 2.6x8
301	85OA500022	AHC ASS'Y	503	8107226604	SCREW,TAP TITE(S) BIND 2.6x6
302	85OP200290	BELT,CAPSTAN (S)	504	8109126604	SCREW,TAP TITE(B) PAN 2.6x6
303	85OP900710	LEVER,REC	505	810A126804	SCREW/WASHER(A) M2.6x8
304	85OP500083	BASE,AC HEAD	506	810B126404	SCREW/WASHER(B) M2.6x4
305	85OP800324	SPRING,AC HEAD	507	8102120604	SCREW,PAN M2x6
306	85OA000367	MAIN CHASSIS ASS'Y (S-Z)	508	8102120304	SCREW,PAN M2x3
307	85OA200082	CLUTCH ASS'Y(S2)	509	8102130304	SCREW,PAN M3.0x3.0
308	85OA200080	ARM IDLER ASS'Y (S)			
309	85OP600556	ARM,SS BRAKE (S)	510	810A123504	SEMS A M2.3x5.0
			511	82P266005N	POLYSLIDER WASHER(CUT) 2.6x6.0xT0.5
310	85OP200292	REEL,T (S)	512	82Q2647C5N	POLYSLIDER WASHER 2.6x4.7xT0.25
311	85OA300061	LOADING ARM S ASS'Y	513	82P184505N	POLYSLIDER WASHER(CUT) 1.8x4.5xT0.5
312	85OA300062	LOADING ARM T ASS'Y	514	83ETW30000	E-RING 3
313	85OA400214	GUIDE ROLLER ASS'Y 1.3	515	810A126504	SCREW/WASHER(A) M2.6x5
314	85OA400188	BASE,INCL S ASS'Y			
315	85OA400196	BASE,INCL T(S) ASS'Y	CP101	069R740018	CONNECTOR PCB SIDE 52044-0445
316	85OA400199	P5-3 ARM ASS'Y(S)	H5001	1523D91034	HEAD (AUDIO CONTROL) HVMXA1072A
317	85OA400205	PINCH ROLLER BLOCK	H5002	1543D02013	HEAD (FULL ERASE) HVFHP0032A
318	85OA400175	TENSION ARM ASS'Y	△ M101	1596P78001	MOTOR (LOADING) MXN13FB11H
319	85OA400184	TENSION BAND ASS'Y (S)	△ M2001	1594J98009	CAPSTAN DD UNIT EP15BD
			M2003	1589V11007	MICRO MOTOR EP14BD
320	85OA400178	PINCH ROLLER LEVER ASS'Y	PCB550	A4C831B550	DECK PCB ASS'Y VE8851
321	85OA600196	BRAKE T ASSY(S)	Q101	0000700320	TRANSISTOR,PHOTO RPT-38PB113
322	85OA600191	CAP BRAKE ASS'Y(S)	△ UN4001	A4C606A500	CYLINDER UNIT ASSY A4C606A500
323	85OA900213	LINK ASS'Y			
324	85OA900216	LINK LEVER ASS'Y			
325	85OP200284	LEVER,CLUTCH (S)			
326	85OP200285	ACTUATOR,CLUTCH			
327	85OP200298	GEAR,COUPLING(S2)			
328	85OP200291	REEL,S (S)			
329	85OP600541	WORM			
330	85OP600563	BRACKET MOTOR			
331	85OP300193	GEAR,MAIN LOADING			
332	85OP300179	GEAR,LOADING S			
333	85OP300180	GEAR,LOADING T			
334	85OP300187	HOLDER,LOADING GEAR (S-Z)			
335	85OP400472	ADJUST,TENSION			
336	85OP400492	HOLDER,TENSION			
337	85OP400490	LEVER,TENSION			
338	85OP400475	COVER,P4			
339	85OP600543	GEAR,JOINT			
340	85OP600544	GEAR,MIDDLE			
341	85OP600554	CAM,MAIN (S)			
342	85OP600546	CAM P5			
343	85OP600565	CAM,PINCH ROLLER			
344	85OP600561	ROD,MAIN(S)			
345	85OP700035	REFLECTOR,LED			
346	85OP800318	SPRING LOADING GEAR			
347	85OP800334	SPRING,P5 (S)			
348	85OP800335	SPRING,BRAKE T (S)			
349	85OP800322	SPRING,TENSION			
350	85OP800336	SPRING,CAP BRAKE (S)			
351	85OP800342	SPRING,LOCKER (S)			
352	85OP800326	SPRING,LINK			
353	85OP800328	SPRING,DAMPER			
354	85OP800330	SPRING,RING			
355	85OP800337	SPRING,SS BRAKE (S)			
356	85OP900680	OPENER,CASS			
357	85OP900731	CASS SIDE L(VA)			
358	85OP900732	CASS SIDE R			
359	85OP900728	TAPE GUIDE L(P,R)			
360	85OP900729	TAPE GUIDE R			
361	85OP900714	COVER SENSOR L3			
362	85OP900688	LEVER,FLAP			
363	85OP900690	CASS HOLDER			
364	85OP600540	DRIVER,WORM			
365	85OP900713	LOCKER,R2			
366	85OP900694	SPRING,PACK			
367	85OP900695	BRACKET,TOP			
368	85OP900696	SPRING,CASS EARTH			
369	85OP800341	SPRING,P/R ARM			

ELECTRICAL REPLACEMENT PARTS LIST

REF. NO.	PART NO.	DESCRIPTION	REF. NO.	PART NO.	DESCRIPTION
RESISTORS			DIODES		
R350	R3X18A2R2J	R,METAL OXIDE	D529	D1VT001330	DIODE,SILICON
△ R447	R635U2680J	R,FUSE	D530	D1VT001330	DIODE,SILICON
△ R449	R5X2CE682J	R,CEMENT	D531	D2BTRU2YX0	DIODE SILICON
△ R450	R6558A2R2J	R,FUSE	D533	D1VT001330	DIODE,SILICON
△ R501	R5Y2CE2R2J	R,CEMENT	D534	D1VT001330	DIODE,SILICON
R505	R3X28B273J	R,METAL	D601	D1VT001330	DIODE,SILICON
R508	R001T6105J	RC	D604	D28T11ESN1	DIODE SILICON
△ R512	R3X181223J	R,METAL OXIDE	D605	D1VT001330	DIODE,SILICON
R517	R6558A2R2J	R,FUSE	D606	D1VT001330	DIODE,SILICON
R538	R011K2155J	RC	D608	D1VT001330	DIODE,SILICON
△ R542	R3X181R33J	R,METAL OXIDE	D609	D1VT001330	DIODE,SILICON
△ R543	R635U2681J	R,FUSE	D610	D1VT001330	DIODE,SILICON
R683	R002T2391J	RC	D611	D1VT001330	DIODE,SILICON
△ R802	R3X18A153J	R,METAL OXIDE	D612	D1VT001330	DIODE,SILICON
△ R805	R3X18A153J	R,METAL OXIDE	D791	002132Q130	LED
△ R810	R3X18A153J	R,METAL OXIDE	D792	002132Q130	LED
R1005	R615J12R7J	R,FUSE	D793	002132Q130	LED
R4058	R002T4821J	RC	D851	D1VT001330	DIODE,SILICON
R4066	R002T4470J	RC	D852	D1VT001330	DIODE,SILICON
CAPACITORS			DIODES		
C357	E02LT3102M	CE	D854	D23U1003A3	DIODE,SCHOTTKY
C401	E0ELTB220M	CE	D855	D1VT001330	DIODE,SILICON
C407	E62I03122M	CE	D856	D1VT001330	DIODE,SILICON
C421	E5EZ04102M	CE	D857	D1VT001330	DIODE,SILICON
C423	P411F3474J	CMPP	D858	D1VT001330	DIODE,SILICON
C424	P414F9682H	CMPP	D859	D1VT001330	DIODE,SILICON
C425	C0390R7G3K	CC	D860	D1VT001330	DIODE,SILICON
C431	E0ELFD220M	CE	D861	D1VT001330	DIODE,SILICON
C502	C13HB07H3K	CC	D863	D28TQS04N0	DIODE SCHOTTKY
C503	C13HB07H3K	CC	D1001	D2LXE65800	DIODE SILICON
△ C505	P2122B224M	CMP	D1002	D1VT001330	DIODE,SILICON
△ C506	P2122B104M	CMP	D1003	0010C00090	INFRARED LED
△ C507	E52C0H101M	CE	D1004	D2LXE65800	DIODE SILICON
C514	C0JLYR7H3K	CC	D1005	D92T1120B0	DIODE ZENER
C517	C0JLYR713K	CC	D1006	D23U1003A3	DIODE,SCHOTTKY
C520	E5EZT2102M	CE	D1007	D1VT001330	DIODE,SILICON
C521	E53VFB221M	CE	D1008	D97U05R61B	DIODE,ZENER
C522	E5EZT54R7M	CE	D1009	D1VT001330	DIODE,SILICON
C523	E5EZT3102M	CE	D1010	D23U1003A3	DIODE,SCHOTTKY
C524	E5EZT3102M	CE	D1011	D1VT001330	DIODE,SILICON
C525	E02LT3471M	CE	D1012	D1VT001330	DIODE,SILICON
C527	C0JLYR7Q2K	CC	D1014	D1VT001330	DIODE,SILICON
△ C529	CB3930MH3M	CC	D1015	D1VT001330	DIODE,SILICON
△ C530	CB3930M13M	CC	D1016	D1VT001330	DIODE,SILICON
C683	CHG0CH4H1J	CC	D1017	D1VT001330	DIODE,SILICON
	CHGTCH4H1J	CC	D1018	D28TQS04N0	DIODE SCHOTTKY
C801	C13HB07H3K	CC	D1019	D28TQS04N0	DIODE SCHOTTKY
C819	C13HB07H3K	CC	D1022	D1VT001330	DIODE,SILICON
C1003	E51XWP104Z	CE	D1023	D97U05R61B	DIODE,ZENER
DIODES			D4003	D1VTB721Q0	DIODE SCHOTTKY
D401	D2WT011E10	DIODE SILICON	D4202	D28T11ESN1	DIODE SILICON
D410	D97U05R61B	DIODE,ZENER	D4503	D1VT001330	DIODE,SILICON
△ D411	D2LTPG06J0	DIODE SILICON	D4510	D1VT001330	DIODE,SILICON
	D28T10ELS6	DIODE,RECTIFIER	D4511	D1VT001330	DIODE,SILICON
△ D413	D2LTPG06J0	DIODE SILICON	ICS		
	D28T10ELS6	DIODE,RECTIFIER	IC352	I0FSP75230	IC
△ D501	D4LZBL06L0	DIODE	△ IC401	I01SD5539N	IC
D502	D2BT0EG01C	DIODE,RECTIFIER	△ IC501	I2BT067070	IC
△ D505	D28T21DQN9	DIODE SCHOTTKY	△ IC506	000210001R	PHOTO COUPLER
D506	D2LTPG06J0	DIODE SILICON	IC601	I03DE68120	IC
	D28T10ELS6	DIODE,RECTIFIER	IC851	ICKD001060	IC
△ D508	D28T21DQN9	DIODE SCHOTTKY	IC852	ICKD003170	IC
△ D509	D28T21DQN9	DIODE SCHOTTKY	IC853	I55JM4053A	IC
D510	D2BTRU2AM0	DIODE SILICON	IC1001	I07SQ69550	IC
△ D511	D28TELS2N2	DIODE RECTIFIER	IC1002	IE1J0S31AH	IC
△ D512	D28T21DQN9	DIODE SCHOTTKY	IC1003	I1KA97809A	IC
D515	D97U03301B	DIODE,ZENER	IC1004	I1KA97805A	IC
D516	D1VT001330	DIODE,SILICON	IC1005	I1KA97805A	IC
D517	D2BT0EG01Z	DIODE,SILICON	IC1006	I54F50094B	IC
D518	D2BT0EG01Z	DIODE,SILICON	IC1099	A58607V015	IC
△ D519	D28T21DQN9	DIODE SCHOTTKY	IC4001	I04F38217F	IC
D521	D2BT0EG01Z	DIODE,SILICON	TRANSISTORS		
D523	D1VT001330	DIODE,SILICON	Q351	T8YJ2412K0	TRANSISTOR SILICON
D524	D1VT001330	DIODE,SILICON	Q353	T8YJ2412K0	TRANSISTOR SILICON
D526	D1VT001330	DIODE,SILICON	Q405	TC3Q026210	TRANSISTOR,SILICON
D527	D1VT001330	DIODE,SILICON	△ Q406	TDFUF024990	TRANSISTOR SILICON
D528	D97U05R61B	DIODE,ZENER	Q501	TC3T029090	TRANSISTOR,SILICON
			Q502	TA3T1371A0	TRANSISTOR,SILICON

ELECTRICAL REPLACEMENT PARTS LIST

REF. NO.	PART NO.	DESCRIPTION	REF. NO.	PART NO.	DESCRIPTION		
TRANSISTORS			COILS & TRANSFORMERS				
Q503	TA3T1371A0	TRANSISTOR,SILICON	2SA1371(D,E)-AE	△ L502	029T000094	COIL,LINE FILTER	0R7A223F24Y
Q504	TC5T018154	TRANSISTOR,SILICON	2SC1815Y(TPE2)	△ L503	028H200015	COIL,DEGAUSS	8H200015
Q505	TC3T029090	TRANSISTOR,SILICON	2SC2909(S,T)-AA	L600	02AXB9A971	CORE FERRITE	ESD-R-30SD
Q507	TCST009450	TRANSISTOR,SILICON	2SC945(C)-T(P,Q)	L601	02167D101K	COIL	100 UH
Q508	TB3T008920	TRANSISTOR,SILICON	2SB892(S,T)-AE	L603	021LA6150K	COIL	15 UH
Q509	TNYTJ03001	COMPOUND TRANSISTOR	DTC114TSTP	L604	021LA6R27M	COIL	0.27 UH
Q513	TNYTB03001	COMPOUND TRANSISTOR	DTC114ESTP	L605	02167D101K	COIL	100 UH
	TNATB03005	COMPOUND TRANSISTOR	KRC102MAT	L606	021LA62R2K	COIL	2.2 UH
Q601	TC3T030000	TRANSISTOR,SILICON	2SC3000-AA	L608	0336000428	COIL,VIDEO IFT	3600042
Q602	T8YJ2412K0	TRANSISTOR SILICON	2SC2412KT146 R,S	L609	02167D101K	COIL	100 UH
Q603	TNYJB05001	COMPOUND TRANSISTOR	DTC114EKAT146	L610	021L962R7K	COIL	2.7 UH
Q604	TNYJB05001	COMPOUND TRANSISTOR	DTC114EKAT146		021LA62R7K	COIL	2.7 UH
Q605	T8YJ2412K0	TRANSISTOR SILICON	2SC2412KT146 R,S	L851	021673100K	COIL	10 UH
Q608	TAYT0933S0	TRANSISTOR,SILICON	2SA933STP(R,S)	L852	021673100K	COIL	10 UH
Q609	T8YJ2412K0	TRANSISTOR SILICON	2SC2412KT146 R,S	L854	021673101K	COIL	100 UH
Q610	T8YJ2412K0	TRANSISTOR SILICON	2SC2412KT146 R,S	L1001	021LA6120K	COIL	12 UH
Q612	TNYJJ05001	COMPOUND TRANSISTOR	DTC114TKAT146	L4001	0326230038	COIL,TRAP	2623003
△ Q804	TC3F042170	TRANSISTOR,SILICON	2SC4217(D,E)-RAC	L4002	02167D101K	COIL	100 UH
	TCA0042170	TRANSISTOR SILICON	KTC4217(O,Y)	L4003	02167D101K	COIL	100 UH
△ Q805	TC3F042170	TRANSISTOR,SILICON	2SC4217(D,E)-RAC	L4004	02167D101K	COIL	100 UH
	TCA0042170	TRANSISTOR SILICON	KTC4217(O,Y)	L4005	0316260088	COIL,BIAS OSC	1626008
△ Q806	TC3F042170	TRANSISTOR,SILICON	2SC4217(D,E)-RAC	L4006	02167D102K	COIL	1 MH
	TCA0042170	TRANSISTOR SILICON	KTC4217(O,Y)	L4008	021673102K	COIL	1 MH
Q851	T8YJ2412K0	TRANSISTOR SILICON	2SC2412KT146 R,S	L4009	02167D101K	COIL	100 UH
Q852	T8YJ2412K0	TRANSISTOR SILICON	2SC2412KT146 R,S	L4011	021LA6120K	COIL	12 UH
Q853	T8YJ2412K0	TRANSISTOR SILICON	2SC2412KT146 R,S	L4012	021LA6221K	COIL	220 UH
Q855	T8YJ2412K0	TRANSISTOR SILICON	2SC2412KT146 R,S	L4013	02167D101K	COIL	100 UH
Q856	T8YJ2412K0	TRANSISTOR SILICON	2SC2412KT146 R,S	L4015	02167D101K	COIL	100 UH
Q862	T8YJ2412K0	TRANSISTOR SILICON	2SC2412KT146 R,S	L4016	021LA6390K	COIL	39 UH
Q863	T8YJ2412K0	TRANSISTOR SILICON	2SC2412KT146 R,S	L4020	021LA6100K	COIL	10 UH
Q1001	0002700590	PHOTO COUPLER	RPI-301	L4021	021LA6100K	COIL	10 UH
Q1002	T8YJ2412K0	TRANSISTOR SILICON	2SC2412KT146 R,S	L4022	021LA6100K	COIL	10 UH
Q1003	0002700530	PHOTO COUPLER	RPI-352Q01R	L4501	021673101K	COIL	100 UH
Q1004	TNYJC05001	COMPOUND TRANSISTOR	DTC124EKAT146	L4502	021673101K	COIL	100 UH
Q1005	0002700590	PHOTO COUPLER	RPI-301	L4503	021LA6100K	COIL	10 UH
Q1006	TPYJC05001	COMPOUND TRANSISTOR	DTA124EKAT146	L4504	021LA6100K	COIL	10 UH
Q1007	TNYJJ05001	COMPOUND TRANSISTOR	DTC114TKAT146	T401	03305Y002S	TRANS,HORIZONTAL DRIVE	305Y002
Q1008	TNYJJ05001	COMPOUND TRANSISTOR	DTC114TKAT146	T501	048140062W	TRANSFORMER,SWITCHING	8140062W
Q1009	0002700530	PHOTO COUPLER	RPI-352Q01R	JACKS			
Q1010	TD3T007340	TRANSISTOR,SILICON	2SD734(E,F)-AA	△ J351	060G131014	RCA JACK	HTJ-035-28A
	TCAT032034	TRANSISTOR, SILICON	KTC3203_Y-AT	J701	060Q401075	RCA JACK	AV2-24D-5
Q1011	T8YJ2412K0	TRANSISTOR SILICON	2SC2412KT146 R,S	△ J801	066C130015	SOCKET,CATHODE RAY TUBE	CVT3275-5102
Q1014	T8YJ2412K0	TRANSISTOR SILICON	2SC2412KT146 R,S	J4501	063G100037	SOCKET,21PIN	035_0_9985_05
Q1015	T8YJ2412K0	TRANSISTOR SILICON	2SC2412KT146 R,S	SWITCHES			
Q1016	T8YJ2412K0	TRANSISTOR SILICON	2SC2412KT146 R,S	△ SW501	0530205001	SWITCH PLUS	SDDFC30200
Q1017	0000100380	PHOTO TRANSISTOR	PNA2604M010R	SW1001	0508221001	SWITCH (LEAF)	SPVF130100
Q1018	TB3T008920	TRANSISTOR,SILICON	2SB892(S,T)-AE	SW1002	0504101T34	SWITCH,TACT	EVQ21505R
Q1019	TB3T008920	TRANSISTOR,SILICON	2SB892(S,T)-AE	SW1004	0504101T34	SWITCH,TACT	EVQ21505R
Q1020	TNYJA05001	COMPOUND TRANSISTOR	DTC143EKAT146	SW1005	0504101T34	SWITCH,TACT	EVQ21505R
Q1021	T8YJ2412K0	TRANSISTOR SILICON	2SC2412KT146 R,S	SW1006	0504101T34	SWITCH,TACT	EVQ21505R
Q4001	TD3T007340	TRANSISTOR,SILICON	2SD734(E,F)-AA	SW1007	0504101T34	SWITCH,TACT	EVQ21505R
	TCAT032034	TRANSISTOR, SILICON	KTC3203_Y-AT	SW1008	0504101T34	SWITCH,TACT	EVQ21505R
Q4002	TD3T007340	TRANSISTOR,SILICON	2SD734(E,F)-AA	SW1009	0504101T34	SWITCH,TACT	EVQ21505R
	TCAT032034	TRANSISTOR, SILICON	KTC3203_Y-AT	SW1010	0504101T34	SWITCH,TACT	EVQ21505R
Q4003	TPYJC05001	COMPOUND TRANSISTOR	DTA124EKAT146	SW1011	0504101T34	SWITCH,TACT	EVQ21505R
Q4004	TCWT022740	TRANSISTOR,SILICON	2SC2274(E,F)-AA	SW1012	0504101T34	SWITCH,TACT	EVQ21505R
	TCATC0200Y	TRANSISTOR SILICON	KTC200_Y-AT	VARIABLE RESISTOR			
Q4005	TCWT022740	TRANSISTOR,SILICON	2SC2274(E,F)-AA	VR502	V1163L2BTC	VOLUME,SEMI FIXED	EVNCYAA03BY2
	TCATC0200Y	TRANSISTOR SILICON	KTC200_Y-AT	P.C.BOARD ASSEMBLIES			
Q4006	T6YJ1037K0	TRANSISTOR,SILICON	2SA1037AKT146R,S	PCB010	A58607V010K	PCB ASSY	VMX193F
Q4007	T8YJ2412K0	TRANSISTOR SILICON	2SC2412KT146 R,S	PCB030	A58607V030K	PCB ASSY	TE9A16A
Q4009	TNYTC03001	COMPOUND TRANSISTOR	DTC124ESTP	PCB070	A58607V070K	PCB ASSY	TMX470A
Q4010	T8YJ2412K0	TRANSISTOR SILICON	2SC2412KT146 R,S	PCB110	A58607V110K	PCB ASSY	TCX331A
Q4201	TNYTB05001	COMPOUND TRANSISTOR	DTC114EK147	PCB340	A58607V340K	PCB ASSY	TEXA35A
Q4501	T8YJ2412K0	TRANSISTOR SILICON	2SC2412KT146 R,S	PCB550	A4C831B550	SEE CHASSIS REPLACEMENT PARTS LIST	
Q4502	T6YJ1037K0	TRANSISTOR,SILICON	2SA1037AKT146R,S	MISCELLANEOUS			
Q4505	T8YJ2412K0	TRANSISTOR SILICON	2SC2412KT146 R,S	B401	024AT03655	CORE BEADS	BL01RN1-A63T6
Q4507	T8YJ2412K0	TRANSISTOR SILICON	2SC2412KT146 R,S	B403	024AT03655	CORE BEADS	BL01RN1-A63T6
Q4509	T8YJ2412K0	TRANSISTOR SILICON	2SC2412KT146 R,S	B504	024AT03655	CORE BEADS	BL01RN1-A63T6
Q4510	T8YJ2412K0	TRANSISTOR SILICON	2SC2412KT146 R,S	B505	024A8407C3	CORE, BEADS	BL02RN2-R62T2
Q4511	T8YJ2412K0	TRANSISTOR SILICON	2SC2412KT146 R,S	B851	024DT03581	CORE BEADS	LFP3A-M3R2TA
Q4512	T8YJ2412K0	TRANSISTOR SILICON	2SC2412KT146 R,S	B4001	024AT03481	CORE, BEADS	BL02RN1-R62T2
COILS & TRANSFORMERS							
L004	02AHA896A1	CORE,FERRITE	W5T18.4X10X9.6	B4501	024AC3601C	CORE, BEADS	BLM21A601SPT
L005	02AHA896A1	CORE,FERRITE	W5T18.4X10X9.6	B4502	024AC3601C	CORE, BEADS	BLM21A601SPT
L401	021679472K	COIL	4.7 MH	BT001	1412004008	BATTERY,MANGAN	R03(AB)E_20_T
△ L501	029K000001	COIL,LINE FILTER	RB-20871	BT002	1412004008	BATTERY,MANGAN	R03(AB)E_20_T
				CD351	06CH274101	CORD CONNECTOR	CH274101

ELECTRICAL REPLACEMENT PARTS LIST

REF. NO.	PART NO.	DESCRIPTION	
MISCELLANEOUS			
	CD352	06CH25088A	CORD CONNECTOR CH25088A
△	CD501	1206655820	CORD AC 1206655820
	CD502	06CPU2012A	CORD CONNECTOR CPU2012A
	CD653	06CH01408A	CORD EIS CONNECTOR CH01408A
	CD654	06CH01388A	CORD EIS CONNECTOR CH01388A
	CD801	127C210009	BRAIDED WIRE TD-060800
	CD803	122E054402	CORD JUMPER 2E054402
	CD810	06CH28096A	CORD CONNECTOR CH28096A
	CD850	06CH25086A	CORD CONNECTOR CH25086A
	CF601	1022T38R9E	FILTER,SAW SAF38.9MAK220Z
	CF602	1012T04001	FILTER,CERAMIC TRAP MKT40.4MA110P-TF
	CP302	069X120249	CONNECTOR PCB SIDE B2B-EH-A
	CP351	0694270139	CONNECTOR PCB SIDE 173979-7
	CP401	069W340018	CONNECTOR PCB SIDE TS-80P-04-V1
	CP501	0697320039	CORD UX CONNECTOR THL-P03P-B1
	CP502	06CH2D068A	CORD CONNECTOR CH2D068A
	CP502	069W420029	CONNECTOR PCB SIDE TV-50P-02-A1
	CP504	0697320039	CORD UX CONNECTOR THL-P03P-B1
	CP603	069E290129	CONNECTOR PCB SIDE 8283_0912_00_000
	CP757	069E250129	CONNECTOR PCB SIDE 8283_0512_00_000
	CP801	069W320018	CONNECTOR PCB SIDE TS-80P-02-V1
	CP804	069W01001A	CONNECTOR PCB SIDE 003P-2100
	CP810	069E280129	CONNECTOR PCB SIDE 8283_0812_00_000
	CP820	069E2D0129	CONNECTOR PCB SIDE 8283_1312_00_000
	CP850	069E250129	CONNECTOR PCB SIDE 8283_0512_00_000
	CD1001	122S040804	CORD JUMPER 1.25X4X83XC
	CD1003	122F051704	CORD JUMPER 2F051704
	CD4001	122S061401	CORD JUMPER 1.25X6X138XC
	CP1004	0697280590	CONNECTOR PCB SIDE TMC-J08P-B1
	CP1005	069J750029	CONNECTOR PCB SIDE IMSA-9604S-05Z14
	CP1006	069J740029	CONNECTOR PCB SIDE IMSA-9604S-04Z14
	CP4001	0697240600	CONNECTOR PCB SIDE TOC-C04X-B1
	CP4004	0697120320	CONNECTOR PCB SIDE TMC-T02X-E1
	CP4005	069J760029	CONNECTOR PCB SIDE IMSA-9604S-06Z14
	CP803A	067R105019	WIRE HOLDER 51052-0500
	CP803B	067R105019	WIRE HOLDER 51052-0500
	CUS011	800WFAA006	CUSHION A
	CUS011	800WFAA006	CUSHION A
	CUS012	800WFAA006	CUSHION A
	CUS013	800WFAA008	CUSHION C
△	F501	0808T04002	FUSE 218004
△	F502	0808T1R602	FUSE 21801.6 or
		080NT1R603	FUSE 50T016HCC
	FB401	043221012F	TRANSFORMER,FLYBACK 3221012F
	FH501	06710T0006	HOLDER,FUSE EYF-52BC
	FH502	06710T0006	HOLDER,FUSE EYF-52BC
	FH503	06710T0006	HOLDER,FUSE EYF-52BC
	FH504	06710T0006	HOLDER,FUSE EYF-52BC
△	ICP502	083PC05002	MICRO FUSE 251005
	OS1001	0779014002	REMOTE RECEIVER GP1U281Q
△	RY501	0560Q20114	RELAY SDT-S-112LMR or
		0560V20115	RELAY ALKS321
	SP351	070W133015	SPEAKER P-300S-3-6
	TH501	D8R0A140M0	DEGAUSS ELEMENT PTH451A140M21
	TM101	07660CH030	TRANSMITTER SBJU00010A
△	TU601	0145511021	TUNER,VHF-UHF TUWOF4EG-771F2
△	V801	098A210431	CRT W/DY A51KQK99X01
	X601	100CT4R406	CRYSTAL HC-49/U 4.433619MHz
	X851	100CT01302	CRYSTAL HC-49/U-S 13875KHz
	X1001	100CT01002	CRYSTAL HC-49/U-S 10MHz
	X1002	100C32R803	CRYSTAL DSVT-200 32.768KHz
	X4001	100CT4R407	CRYSTAL HC-49/U 4.433619MHz

RESISTOR

RC..... CARBON RESISTOR

CAPACITORS

CC..... CERAMIC CAPACITOR
 CE..... ALUMI ELECTROLYTIC CAPACITOR
 CP..... POLYESTER CAPACITOR
 CPP..... POLYPROPYLENE CAPACITOR
 CPL..... PLASTIC CAPACITOR
 CMP..... METAL POLYESTER CAPACITOR
 CMPL..... METAL PLASTIC CAPACITOR
 CMPP..... METAL POLYPROPYLENE CAPACITOR

SPEC.NO.	M586-07V
O/R NO.	U1X5508